



- **Standard Analogue phone or SIP phone**
- **Aluminum alloy die-casting body**
- **Vandal resistant handset and cord**
- **Weather proof protection to IP67**
- **Hotline Phone, Programmable for auto-dial**
- **Wall mounting, simple installation**
- **Inductive coupler fitted as standard for hard of hearing**
- **Phone line powered/AC/DC powered**
- **External power supply or PoE (SIP)**
- **RJ45 Port for SIP connection**
- **With LED lamp fixed on the top**
- **CE,FCC,ROSH compliant**

The JR100 series telephones are fully contained within a corrosion resistant cast aluminium weatherproof case with a door providing complete protection against dust and moisture ingress, resulting in a highly reliable product with a long MTBF.

The unique robust handset is manufactured from moulded Bulk Molding Compound and designed specifically to withstand arduous use in all environments, armoured cord to provide additional resistance to vandalism or heavy industrial use.

The JR100 series Weatherproof Telephones are designed for use by the railways, power stations, the armed services and heavy industry which require very reliable telephony under adverse conditions.

Standard Analogue

As a standard analogue telephone, this unit provides basic telephone functions and can be connected to any standard two-wire telephone line, including analogue PABX lines and PSTN.

SIP-VoIP TECHNICAL SPECIFICATIONS

Power Input:

12-24V DC

Port:

WAN: 10/100Base-T RJ-45 for LAN, Auto MDIX

LAN: 10/100Base-T RJ-45 for PC, Auto MDIX

Power Consumption:

Idle:1.5W/ Active:1.8W

Voice Features

- Support SIP 2.0 (RFC3261)
- Codec: G.711A/u, G.7231 high/low, G.729, G.722
- Echo cancellation: Support G.168 and hand-free can support 96ms
- Supports full duplex
- SIP support SIP domain, SIP authentication(none, basic,MD5),DNS name of server
- DTMF:SIP info, DTMF Relay, RFC2833
- Call control features: Flexible dial map, support hot-line

Network Features

- WAN/LAN: support Bridge mode
- Support static IP address
- Support DHCP get IP on WAN port
- Support VLAN
- Support web config

TECHNICAL SPECIFICATION

Casing Material

Die cast aluminium, epoxy powder coated.

Colors

Gray, other colors to special order

Handset Material

Cycloy with stainless steel spiral cord

Keypad

Hotline, No Keypad

Temperature

Operating: -30°C to +65°C

Storing: -40°C to +75°C

Weather Resistance

IP67

Ring Tone

Shrill warble tone 85 dBA @ 1 metre typical

Hook switch

Electronic / magnetic with no visible moving parts

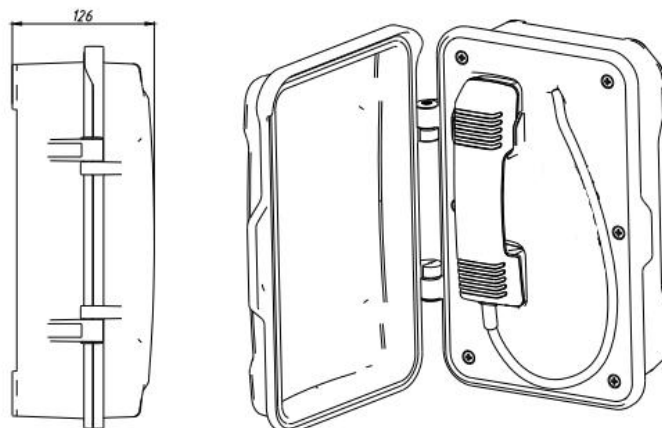
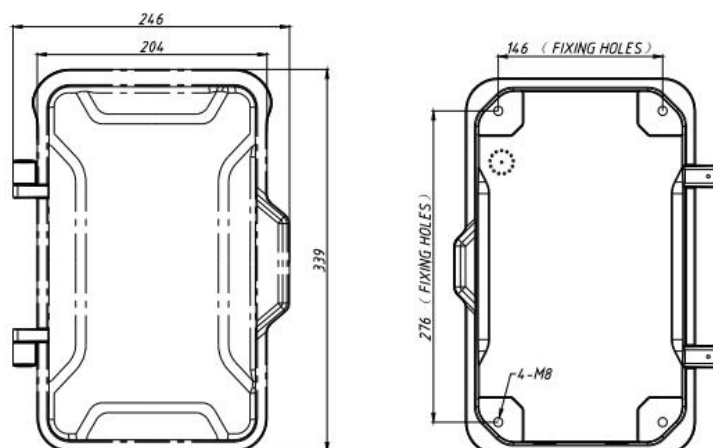
M.T.B.F.

Calculated to have an M.T.B.F. in excess of 50,000 hours using

Weight

Up to 7 kg depending on option

DIMENSIONS:



(Measured in mm)

ANALOGUE

Dialing

MF (tone)

Power supply

Drawn from telephone line

Lightning / Transients

Protection to ITU-T k.21 enhanced levels

Programming

Can be programmed as an auto-dial phone by build-in keypad or remote programming

APPROVALS



This mark indicates compliance with the:
Radio & Telecommunications Terminal Equipment
Directive
2004/108/EC



This mark indicates compliance with the:
FCC Part 15 Subpart B Class B

PACKAGE

unit size: 339 *146 *126(mm)

Carton size:200*300*440(mm)

Packaging materials: pearl cotton, carton

Gross weight: 7KG Net weight: 6KG